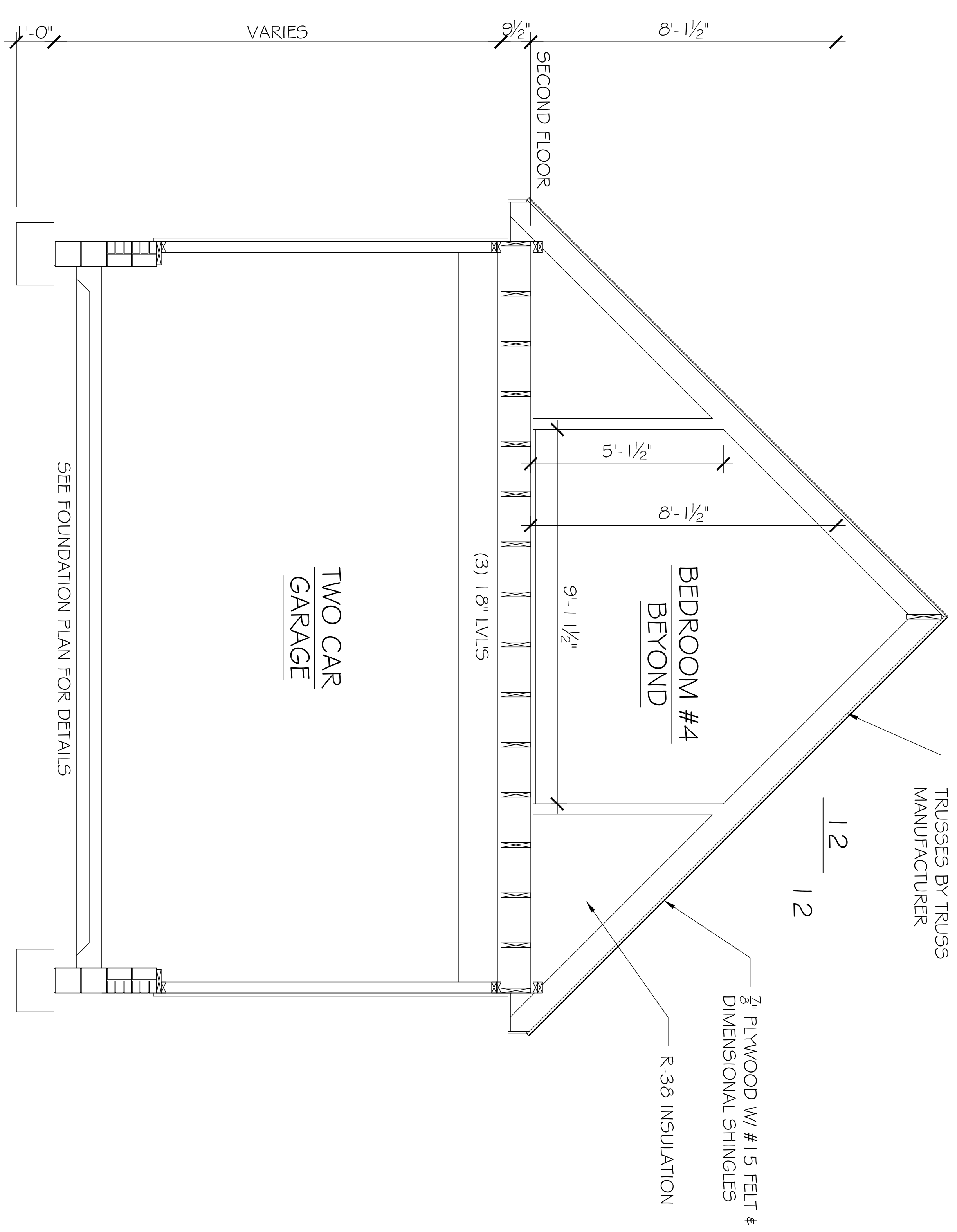


TYP BUILDING SECTION
SCALE: 1/2" = 1'-0"

C 2011 REDMARKDESIGN. ALL RIGHT RESERVED



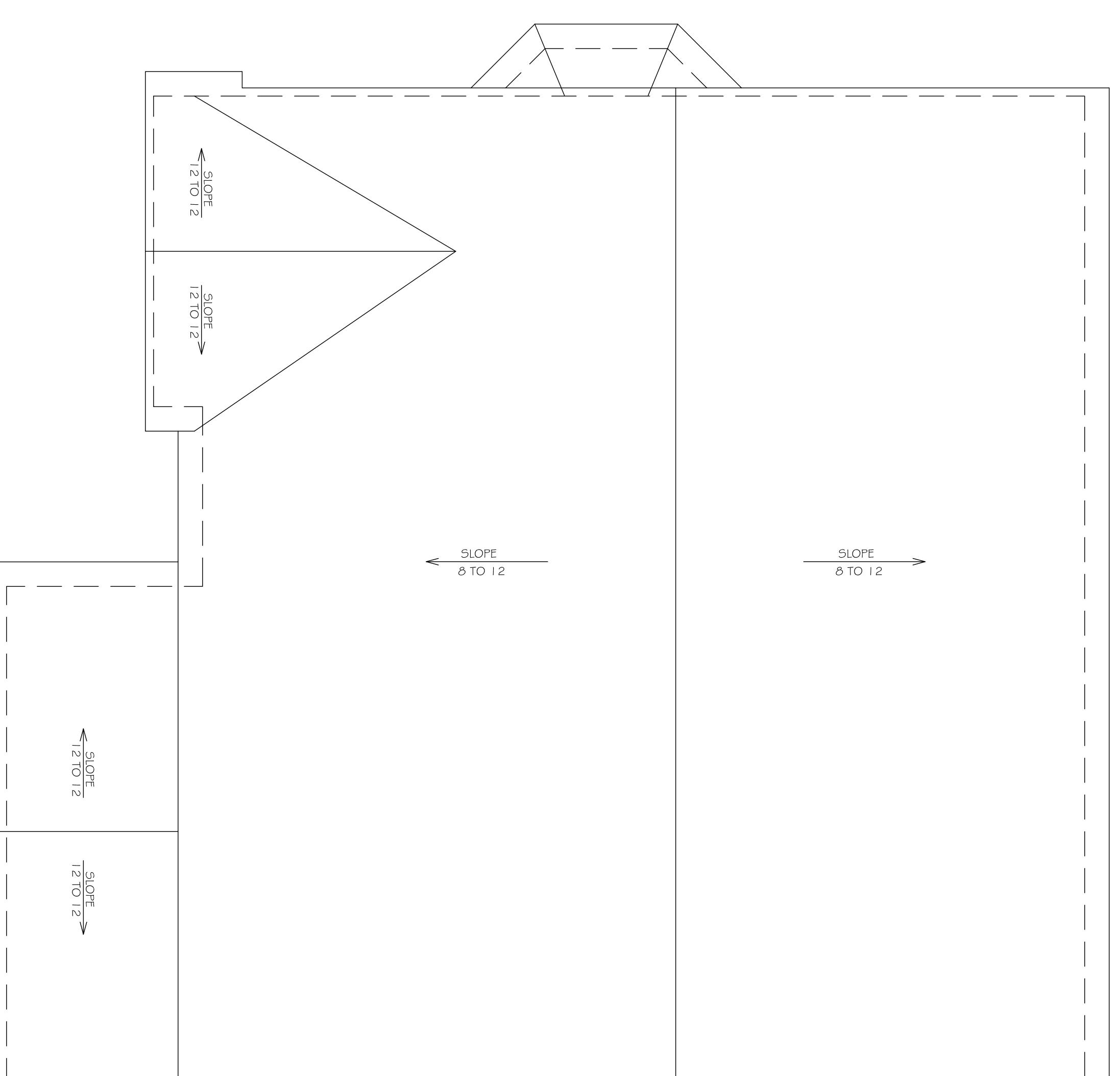
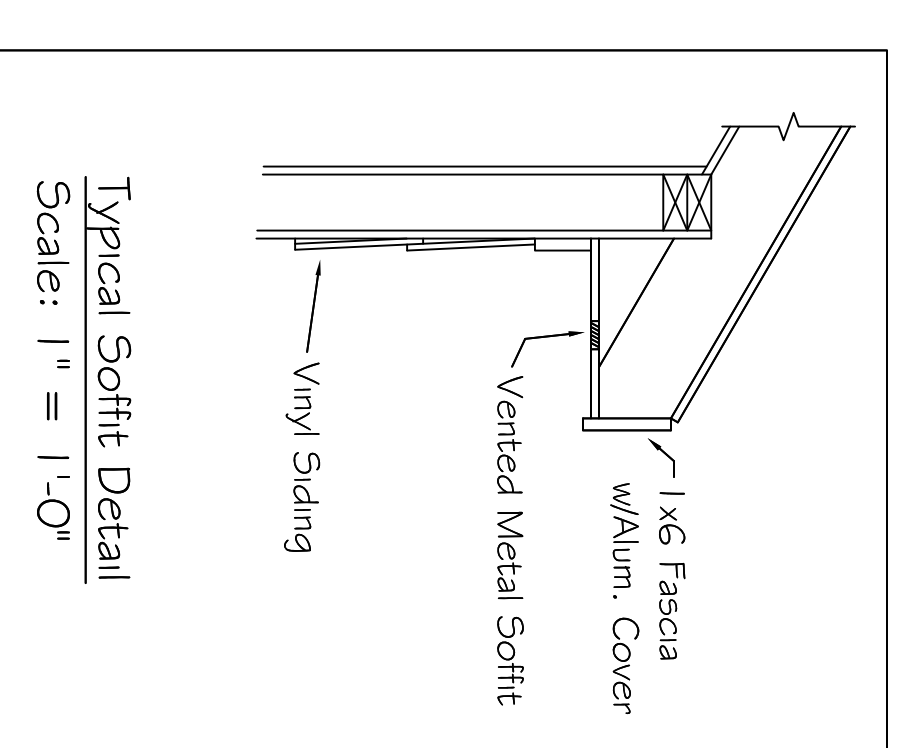
SECTION @ GARAGE
SCALE: 1/2" = 1'-0"



NEW CONSTRUCTION
MORRONE RESIDENCE

DATE: 05/10/11
JOB # 139-11
DRAWN BY: KJK

- Notes:
- 1) All Rafter Spacing to be @ 16" o.c.
 - All Truss Spacing to be @ 24" o.c.
 - 2) Eave Overhang: 12" Typical
 - 3) Roof Sheeting: 7/16" OSB
 - 4) Roof Covering: 20-Yr. Dimensional Shingles on 15-lb Roof Felt.



ROOF LAYOUT PLAN

SCALE: 1/4" = 1'-0"

SEE MANUFACTURER TRUSS LAYOUT AND DESIGN.

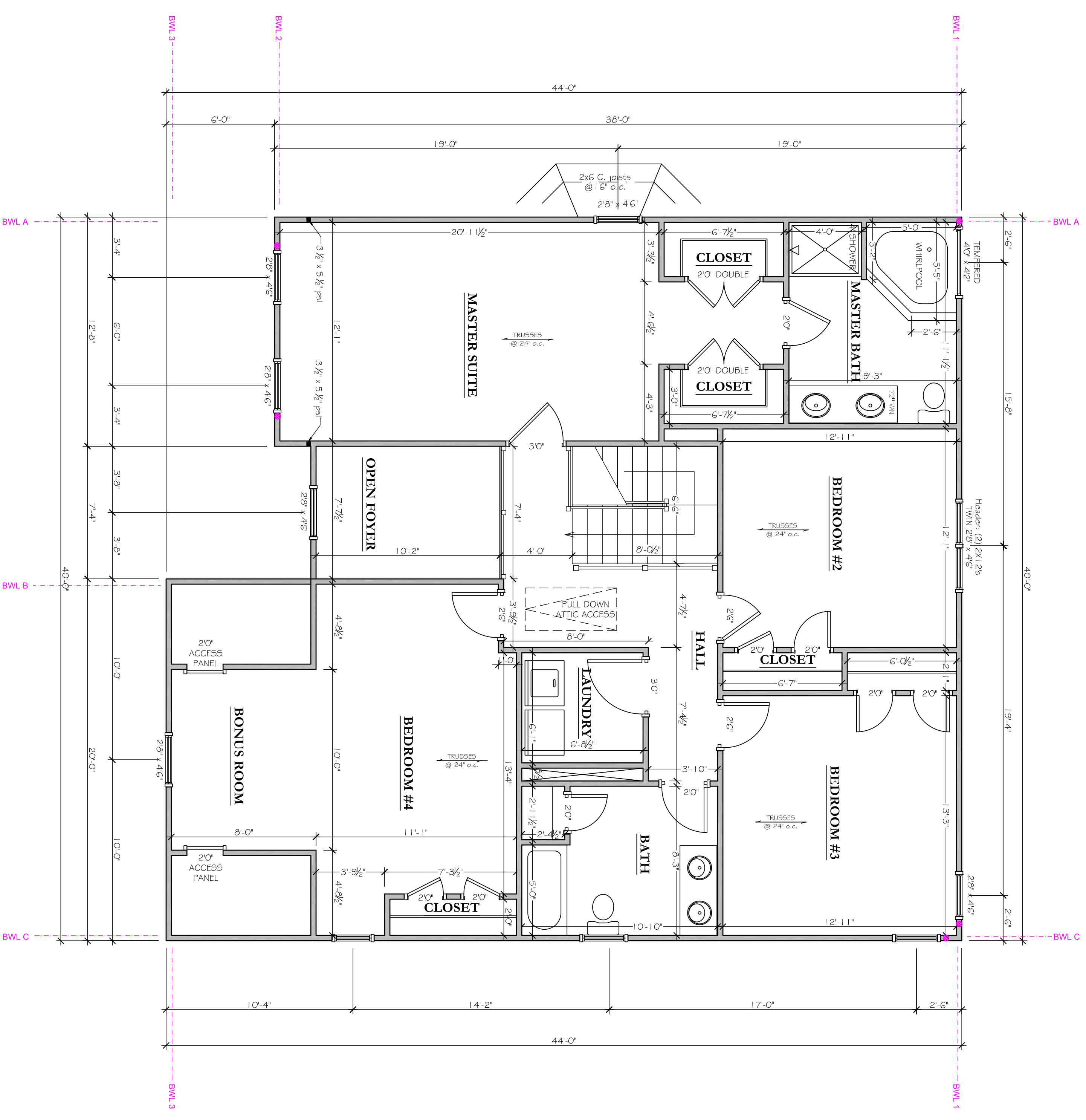
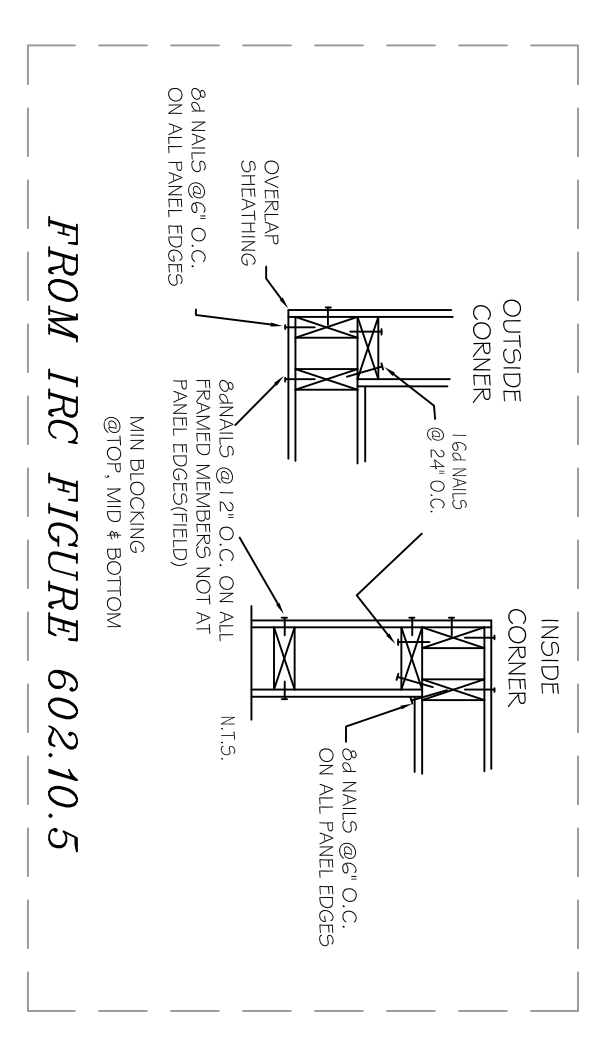
- SMOKE DETECTORS
Smoke detectors installed in a new dwelling shall be interconnected and shall receive their primary power by permanent connection to the dwelling's electrical system and when primary power is interrupted, shall receive power from a battery.

- EMERGENCY EGRESS
Every sleeping room shall have at least one window with minimum net clear opening of 5.7 sq. ft. (5.0 sq. ft. for grade floor windows) with a minimum net clear width and height dimensions of 20" and 22" respectively. The sill height shall not be greater than 44".

- Notes**
- 1) Exterior Wall are normally 4" thick
 - 2) Exterior Wall are normally 3 1/2" thick
 - 3) Interior Walls are to be (2) 2x6's
 - 4) Interior Headers are to be (2) 2x6's (Unless Otherwise Noted)
 - 5) Provide double joists directly beneath all 2nd, Fl. transverse walls
 - 6) 2009 IRC Sect. 602.10.10
 - 7) 2009 IRC Sect. 602.10.3
 - 8) Indicates Point-Load Bearing Locations.
 - 9) 800 LB Hold down per R602.10.3.3

Note: WALL CONSTRUCTION shall be in accordance with R602.10.5 Continuous Structural Panel Sheathing.

- Wood Structural Panel Sheathing to be installed at corners in accordance with Figure R602.10.5. (8d common nails 6"oc edges & 12"oc all other.)



SECOND FLOOR PLAN

SCALE: 1/8" = 1'-0"

REDMARK DESIGN
CUSTOM ARCHITECTURAL DRAFTING

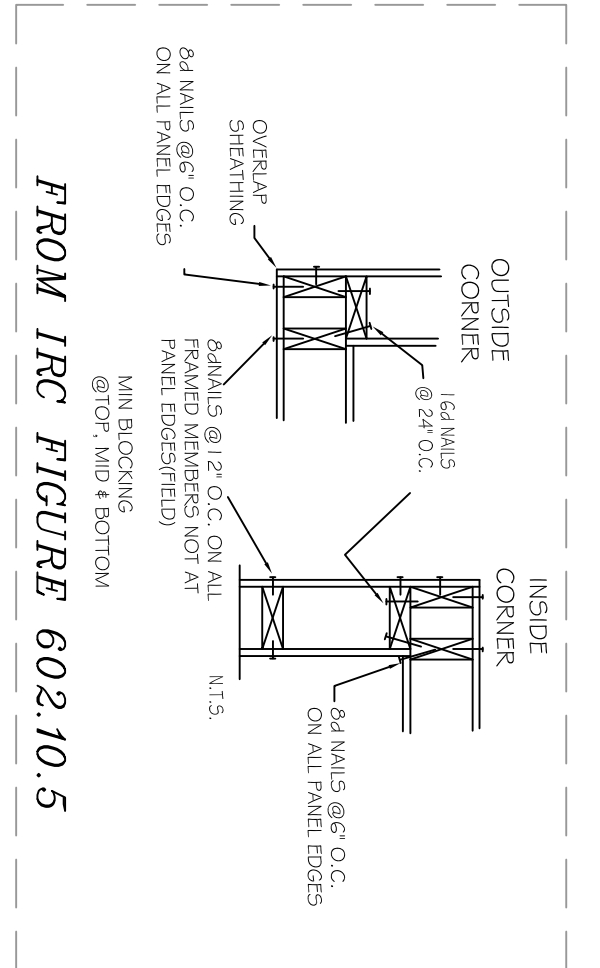
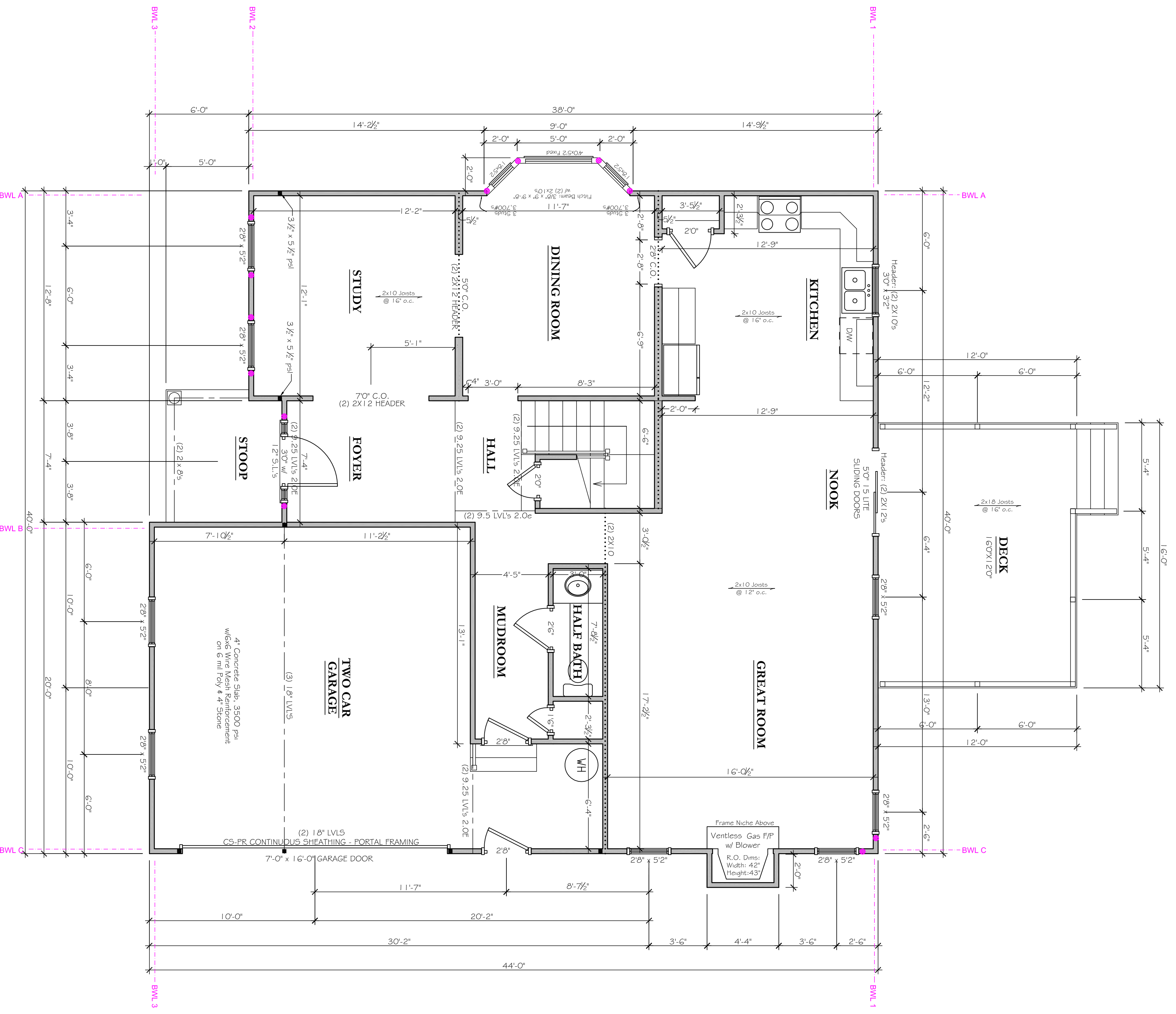
(804)814-7502
REDMARKDESIGN@HOTMAIL.COM
INTERIORS • ARCHITECTURAL • ENGINEERING

Blue Ridge
CUSTOM HOMES LLC

NEW CONSTRUCTION

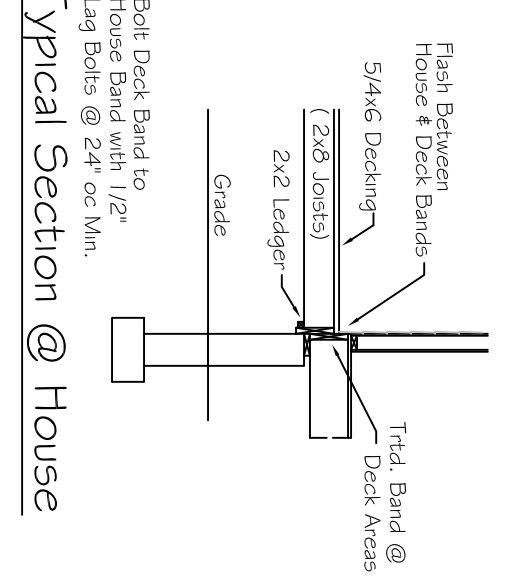
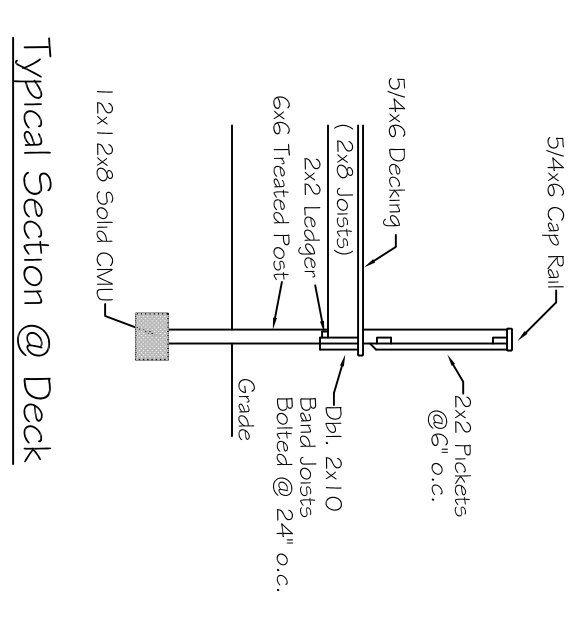
MORRONE RESIDENCE

DATE: 05/10/11
JOB # 139-11
DRAWN BY: KJK



Note: WALL CONSTRUCTION shall be in accordance with R602.10.5 Continuous Structural Panel Sheathing.

- Wood Structural Panel Sheathing to be installed at corners in accordance with Figure R602.10.5, (8d common nails 6"oc edges & 12"oc all other.)



NOTES

- 1) Exterior Wall are normally 4" thick
- 2) Interior Wall are normally 3 1/2" thick
- 3) Interior Headers are to be (2) 2x6's (Unless Otherwise Noted)
- 4) Provide double joists directly beneath all 2nd fl. transverse walls
- 5) 2009 IRC Sect. 602.10
- 6) 600 LB Hold down per R602.10.3.3

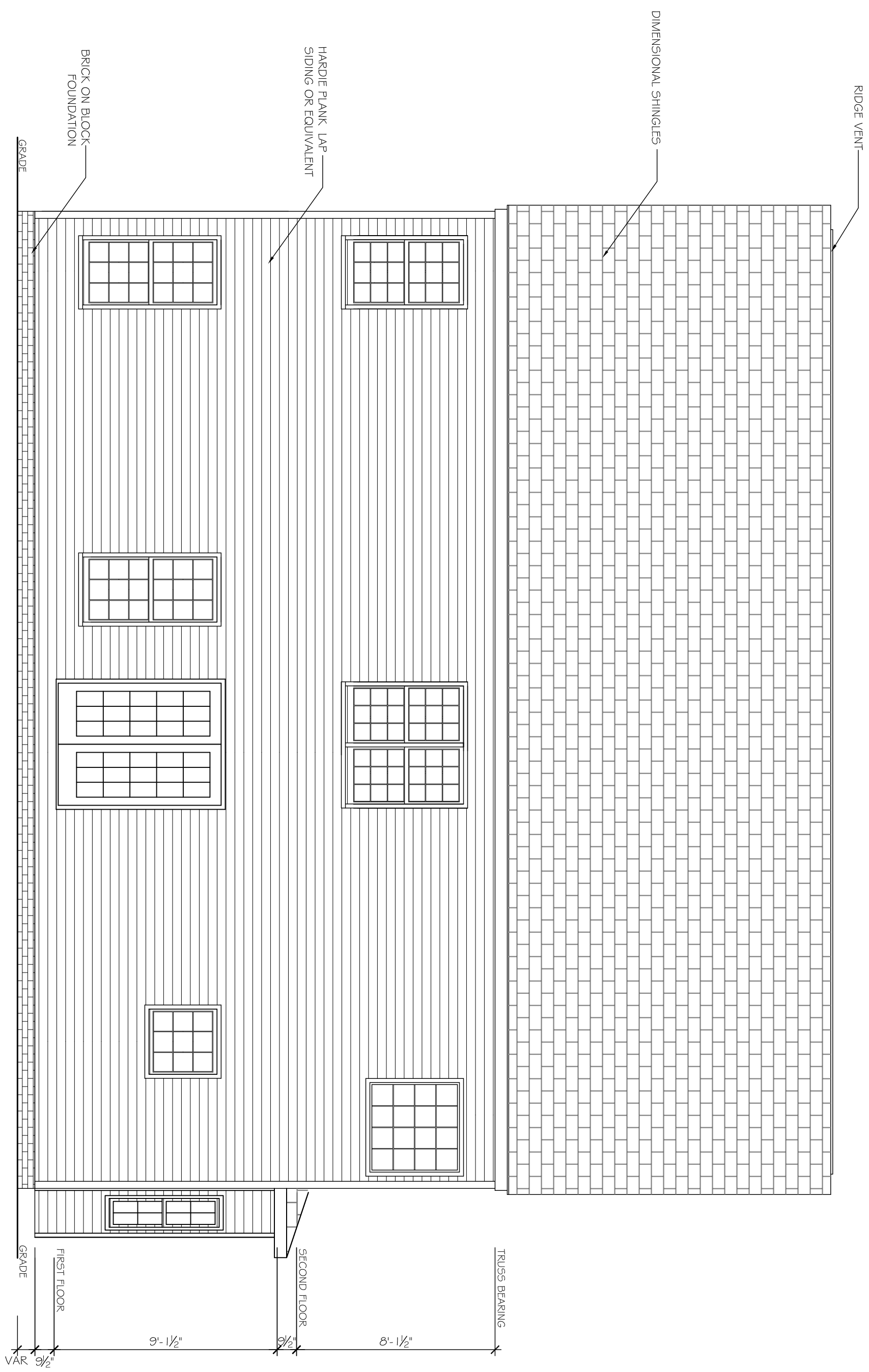
SMOKE DETECTORS

Smoke detectors installed in a new dwelling shall be interconnected and shall receive their primary power by permanent connection to the dwelling's electrical system and when primary power is interrupted, shall receive power from a battery.

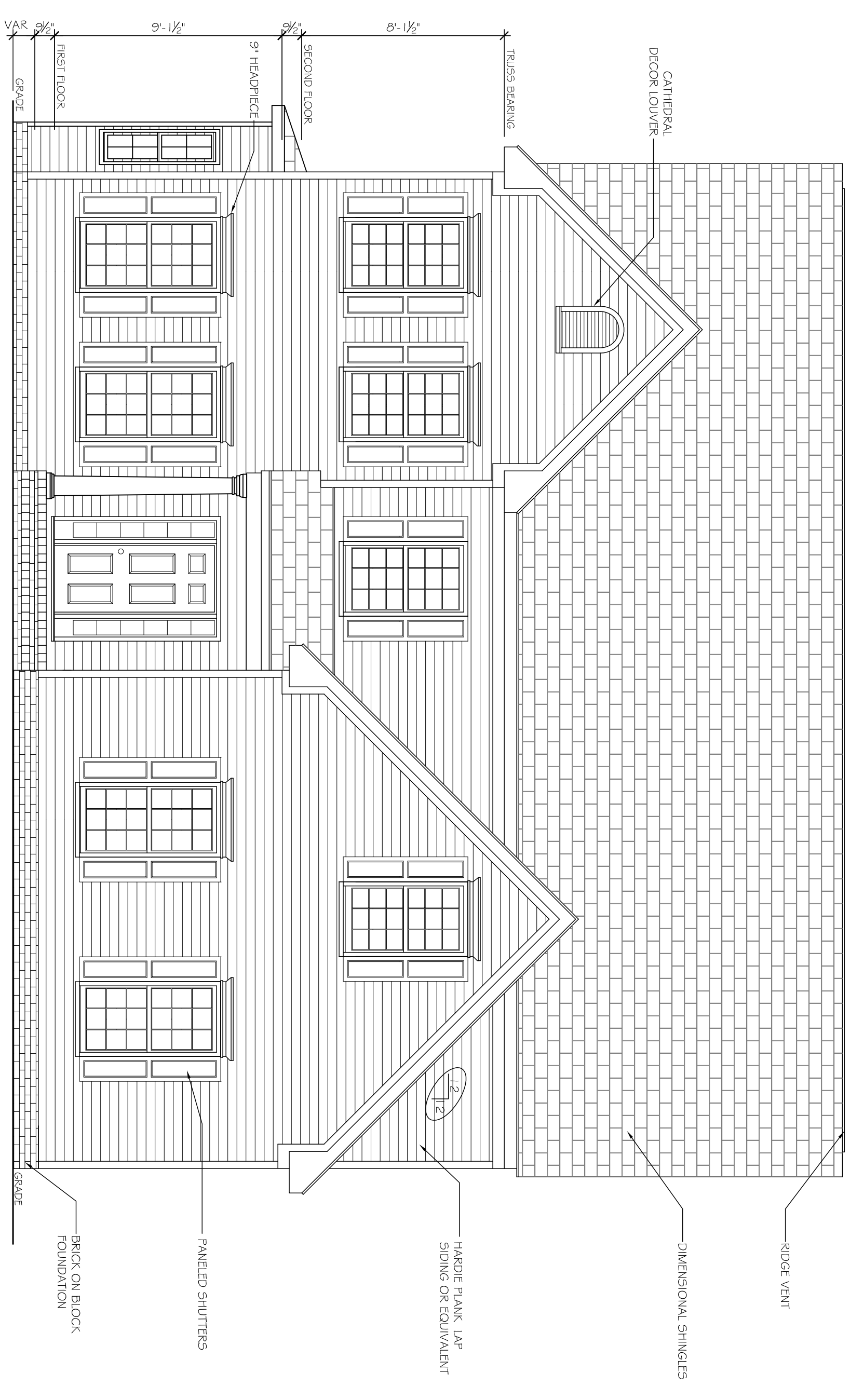
EMERGENCY EGRESS

Every sleeping room shall have at least one window with minimum net clear opening of 5.7 sq. ft. (5.0 sq. ft. for grade floor windows) with a minimum net clear width and height dimensions of 20" and 22" respectively. The sill height shall not be greater than 44".

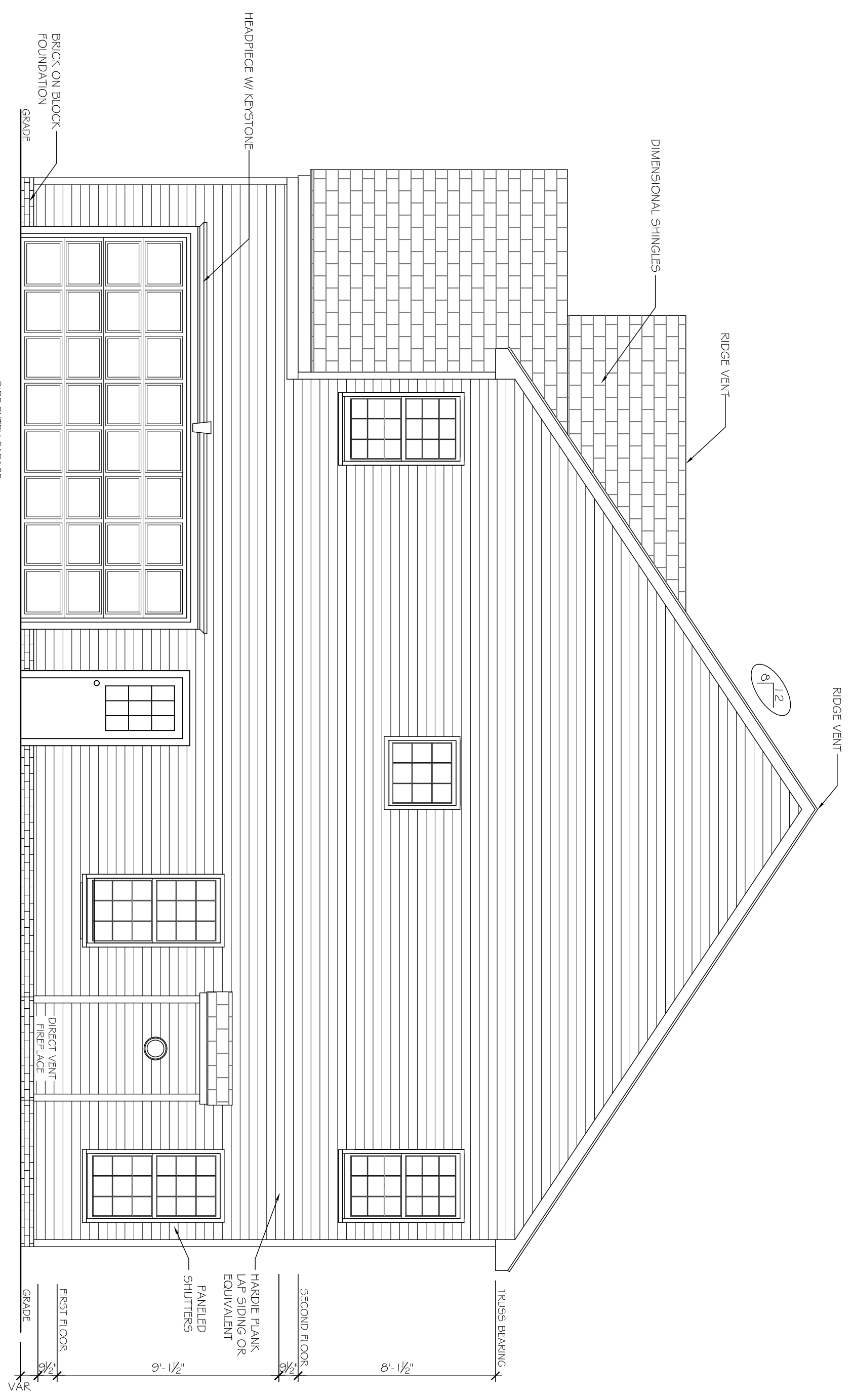
FIRST FLOOR PLAN
 SCALE: 1/8" = 1'-0"



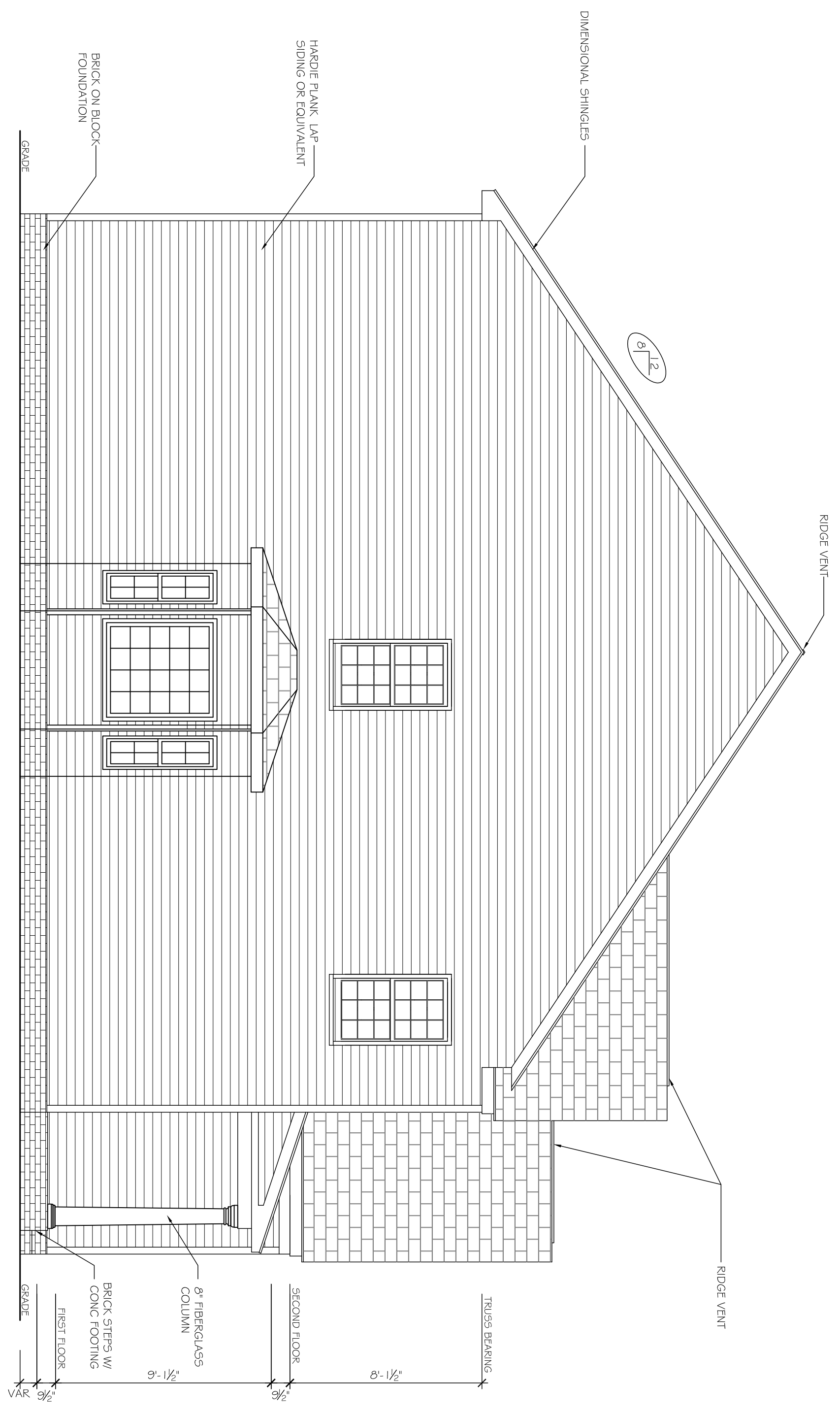
REAR ELEVATION
SCALE: 1/4" = 1'-0"



FRONT ELEVATION
SCALE: 1/4" = 1'-0"



RIGHT ELEVATION
SCALE: 1/4" = 1'-0"
SIDE ENTRY OPTION



LEFT ELEVATION
SCALE: 1/4" = 1'-0"